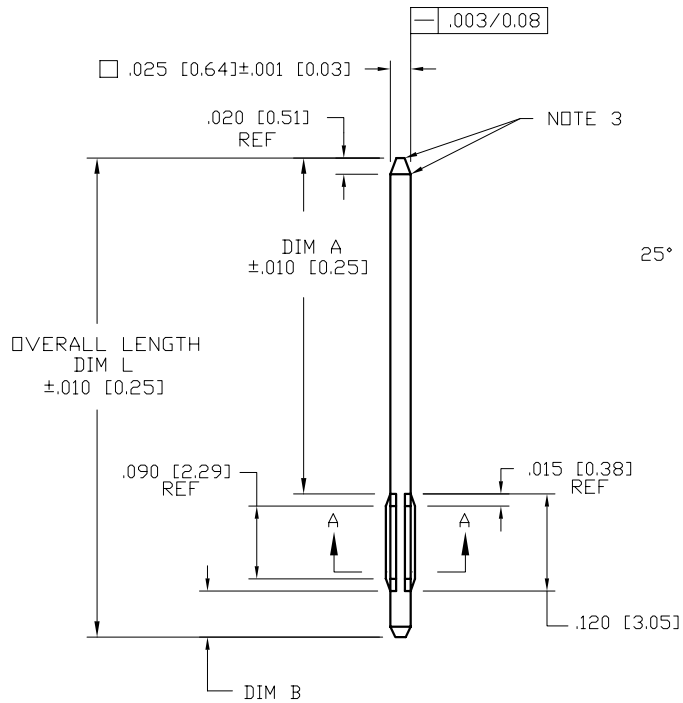
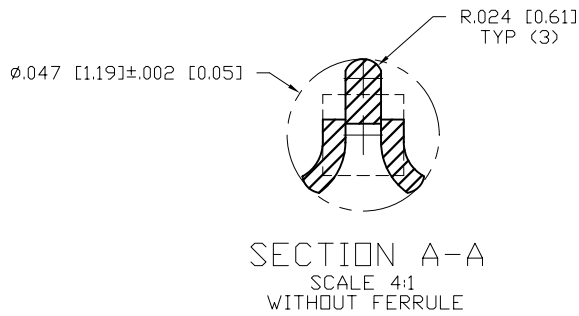
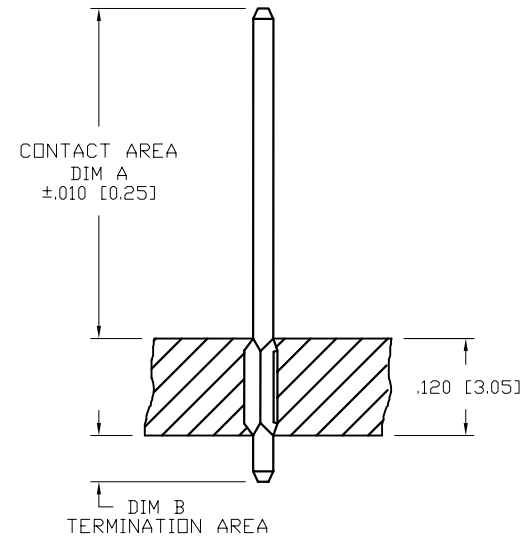
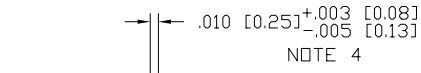


PRODUCT NUMBER
SEE TABLE



TWO SIDES OF
LEAD IN
NOT PLATED
TYP



mat'l. code SEE NOTE 1				surface ASME Y14.5		tolerance ASME Y14.5		projection INCH/MM		product family PIN PRODUCTS	
ltr	ec'n no	dr	date	tolerances unless otherwise specified		angles		scale 5:1		title TRI-PIN™ LOOSE PIECE	
E	V60837	EPK	1996-06-03	XX+01/XX+3		0°±2'				sheet 1 of 3	
F	V71498	HTB	1997-10-28	XXX+005/XXX+13						size A4	
G	V01594	JRW	2000-07-12	XXXX+0020/XXX+051						dwg no 76191	
H	V05-0400	HTB	2005-04-29	dr E. KROPIEWNICK 1996-06-03						type CUSTOMER Drawing	
J	V06-0684	HTB	2006-07-24	engr L. FYE 1996-06-03							
K	V07-0009	HTB	2007-01-05	chr L. FYE 1996-06-03							
L	V08-0376	HTB	2008-08-27	appd L. FYE 1996-06-03							
sheet index	revision	L	L	L							
	sheet	1	2	3							

PRODUCT NUMBER NOTE 6	PLATING	UNDERPLATING
76191-YYY	30μ" [0.76μ] MIN Au	50μ" [1.27μ] MIN Ni
76191-YYYLF		
76193-YYY	50μ" [1.27μ] MIN Au	50μ" [1.27μ] MIN Ni
76193-YYYLF		
76194-YYY	120μ" [3.05μ] MIN 93/7 SnPb	50μ" [1.27μ] MIN Ni
76194-YYYLF	100μ" [2.54μ] MIN Sn (NOTE 7)	50μ" [1.27μ] MIN Ni
76195-YYY	30μ" [0.76μ] MIN GXT™	50μ" [1.27μ] MIN Ni
76195-YYYLF		
76196-YYY	15μ" [0.38μ] MIN GXT™	50μ" [1.27μ] MIN Ni
76196-YYYLF		
76199-YYY	15μ" [0.38μ] MIN Au	50μ" [1.27μ] MIN Ni
76199-YYYLF		

DISCONTINUED

NOTES :

- ① PIN MATERIAL : PHOS BRONZE 3/4 HARD
ASTM B-159-66
2. .002 [0.05] MAX R. ON WIRE WRAP CORNERS OF PIN.
- ③ BURNISH MARKS PERMITTED.
.003 [0.08] MAX
BULGE .0005 [0.013] MAX TYP
- ④ .016 [0.41] MAX FOR OPPOSITE END IF "B" IS LESS
THAN .230 [5.84].
5. SEE PRODUCT SPECIFICATION BUS-12-069 FOR P.C. BOARD
HOLE DIAMETER AND P.C. BOARD PLATING INFORMATION.
- ⑥ ADD AN LF SUFFIX TO PART NUMBERS FOR PRODUCT
THAT MEETS EUROPEAN UNION DIRECTIVES AND OTHER
COUNTRY REGULATIONS AS DESCRIBED IN GS-22-008.
- ⑦ THIS PRODUCT HAS 100% TIN PLATING IN THE
INTERFACE AND HAS NOT BEEN TESTED FOR WHISKER
GROWTH IN ALL INTERCONNECT ENVIRONMENTS.

A

A

B

B

mat'l. code SEE NOTE 1		surface ASME Y14.5 ✓	tolerance ASME Y14.5	projection 	product family PIN PRODUCTS
ltr	ecn no	dr	date	tolerances unless otherwise specified	title
L				angles XX+01/XX+3 XXX+005/XXX+13	TRI-PIN™ LOOSE PIECE
				0'±2' XXXX+0020/XXX+051	
		dr	E. KROPIEWNICKI	1996-06-04	dwg no
		enrg	L. FYE	1996-06-04	sheet 2 of 3
		chr	T. BREWBAKER	1996-06-04	size
		appd	L. FYE	1996-06-04	76191
sheet	revision				type
index	sheet				CUSTOMER Drawing



PRODUCT NUMBER	CONTACT AREA		TERM. AREA		OVERALL LENGTH		
	NOTE 6	DIM A	DIM A	DIM B	DIM B	DIM L	DIM L
		ENGLISH	METRIC	ENGLISH	METRIC	ENGLISH	METRIC
7619X-001	0.600	15.24	0.050	1.27	0.770	19.56	
7619X-002	0.490	12.45	0.050	1.27	0.660	16.76	
7619X-003	0.600	15.24	0.330	8.38	1.050	26.67	
7619X-004	0.260	6.60	0.050	1.27	0.430	10.92	
7619X-005	0.280	7.11	0.330	8.38	0.730	18.54	
7619X-006	0.730	18.54	0.050	1.27	0.900	22.86	
7619X-007	0.370	9.40	0.050	1.27	0.540	13.72	
7619X-008	0.690	17.53	0.040	1.02	0.850	21.59	
7619X-009	0.205	5.21	0.050	1.27	0.375	9.53	
7619X-010	0.390	9.91	0.050	1.27	0.560	14.22	
7619X-011	0.545	13.84	0.050	1.27	0.715	18.16	
7619X-012	0.610	15.49	0.050	1.27	0.780	19.81	
7619X-013	0.320	8.13	0.215	5.46	0.660	16.76	
7619X-014	0.315	8.00	0.050	1.27	0.485	12.32	
7619X-015	0.345	8.76	0.310	7.87	0.775	19.69	
7619X-016	0.425	10.80	0.310	7.87	0.855	21.72	
7619X-017	0.220	5.59	0.080	2.03	0.420	10.67	
7619X-018	0.425	10.80	0.080	2.03	0.625	15.88	
7619X-019	0.415	10.54	0.040	1.02	0.575	14.61	
7619X-020	0.220	5.59	0.055	1.40	0.395	10.03	
7619X-021	0.425	10.80	0.055	1.40	0.600	15.24	
7619X-022	0.360	9.14	0.425	10.80	0.905	22.99	

A

A

B

B

mat'l. code		surface		tolerance		projection		product family	
SEE NOTE 1		ASME Y14.5		ASME Y14.5				PIN PRODUCTS	
ltr	ecn no	dr	date	tolerances unless otherwise specified					
L				angles	XX*01/X*3		INCH/MM		title
					XXX*005/XX*13				TRI-PIN™ LOOSE PIECE
				0°±2'	XXXX*0020/XXX*051		scale 1:1		dwg no
		dr	E. KROPIEWNICKI	1996-06-04				sheet 3 of 3 size	
		engr	L. FYE	1996-06-04				76191 A4	
		chr	T. BREWBAKER	1996-06-04				type	
		appd	L. FYE	1996-06-04				CUSTOMER Drawing	
sheet index	revision sheet								